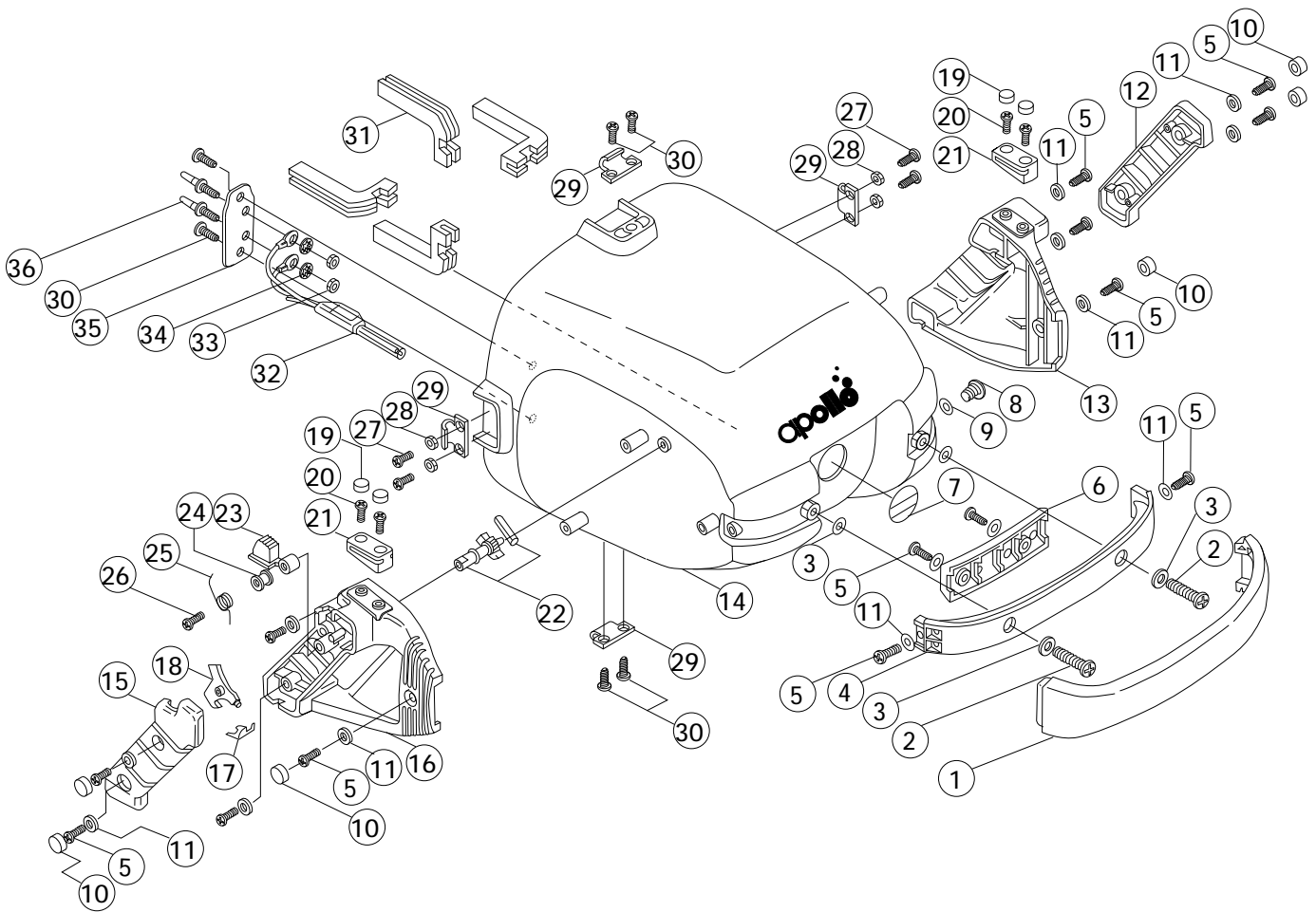


av-1 HEAD ASSY section A (last update Feb 2007)

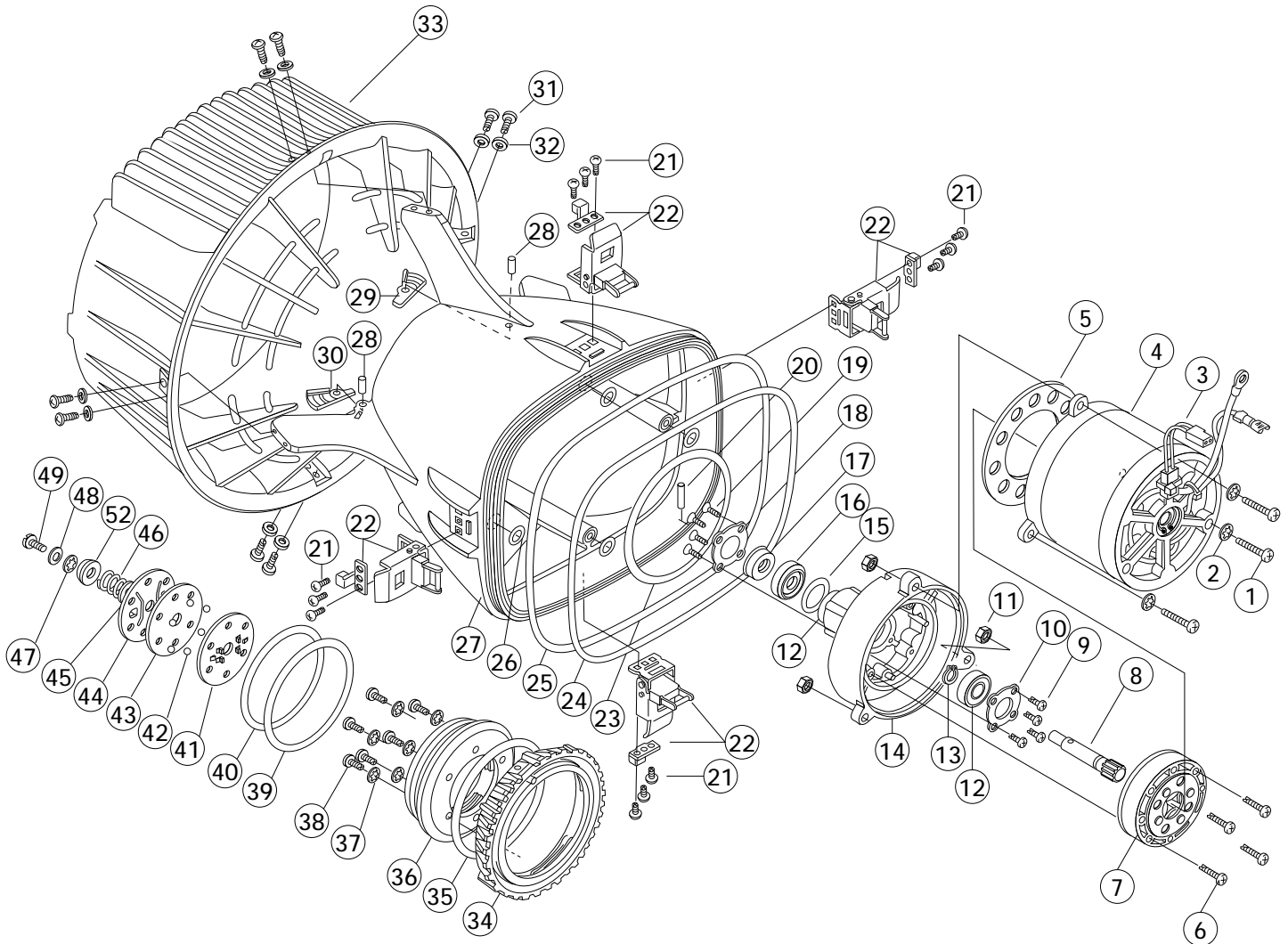


Item	Code No.	Description
.	2952035001	AV-1 HEAD ASSY
1	3953080000	0513-21 BUMPER/AV-1
2	3990100507	0130-65 SCREW (SUS304 M5X10)
3	3990100012	WASHER M5 SUS5.3X10 FOR AV-1 SCOOTER
4	3952080032	0611-83 CARRYING HANDLE/AV-1
5	3990100504	SCREW M4X16X7 TP FOR AV-1 SCOOTER
6	3952080033	CARRYING HANDLE COVER FOR AV-1 SCOOTER
7	3952280008	NUMBER SEAL FOR AV-1 SCOOTER
8	3100101901	3/8 PLUG (REGULATOR AND AV-1 SCOOTER)
9	3993080011	O-RING FOR PLUG A (AS568-011) FOR AV-1
10	3952080007	0611-85 COVER SCREW ABS
11	3990100011	WASHER M4(SUS304 4.3X8) FOR AV-1 SCOOTER
12	3952080023	0611-90 COVER GRIP LEFT ABS
13	3952080010	0611-88 GRIP LEFT ABS
14	3952035001	0611-86 SEASPRINT FRONT COVER (VL)
15	3952080025	0611-91 COVER GRIP RIGHT ABS
16	3952080024	0611-89 GRIP RIGHT ABS
17	3951104014	0040-63 LOCKING LEVER SPRING (NEW)
18	3952045000	0611-92 LOCKING LEVER

Item	Code No.	Description
19	3952080031	SCREW COVER FOR AV-1 SCOOTER
20	3990100501	0130-82 SCREW RETNR PLT
21	3952080030	0611-94 ACCESSORY SHOE PBT
22	3951900001	MAGNET SWITCH ASSY FOR AV-1 SCOOTER
23	3952035000	SWITCH BUTTON FOR AV-1 SCOOTER
24	3950004006	0181-94 SW SPRING SLEEVE
25	3951200000	0040-64 SWITCH SPRING
26	3990100500	0130-69 SW SCREW (M2.6X15X4.6 TP)
27	3990100601	WASHER SUS304 M3.5X10 FOR AV-1 SCOOTER
28	3990100605	CORRUGATED SPACER FOR AV-1 SCOOTER
29	3951100103	LOCKING BRACKET (1 PC) no. updated 2/21/2007
30	3990100503	TRUSS SCREW (SUS 304 M3.5X8) FOR AV-1
31	3953080001	BATTERY HOLDER (AVD063) FOR AV-1 SCOOTER
32	2958000000	0640-53 REED SWITCH ASSY
33	3990100510	0150-53 NUT/HEX BS M4P-0.7
34	3990100021	WASHER SUS304 M4
35	3958025000	SWITCH PLUG BOARD /AV-1 (AVD123)
36	3950004001	0650-12 TERMINAL PIN C3601

NOTE: Item 29 previously indicated wrong Code No. Correct number for this item is 395-11-00-103 Last update: 2/21/2007

av-1 BODY ASSY section C-1 (last update 2/2007)



Item	Code No.	Description
.	2952035002	AV-1 BODY ASSY
1	3990100505	SCREW (SUS304 M4 X 22)
2	3990100021	WASHER (SUS304 M4)
3	3998000110	THERMAL PROTECTOR ASSY (110 DEGREES C.)
4	2950900000	MOTOR ASSY (12V 180W)
5	3951108001	GEAR PLATE
6	3990100506	SCREW (M4 X 30 X 7 TP)
7	3995090001	GEAR
8	3950000005	CLUTCH AXLE (SUS304)
9	3990100501	SCREW (M3 X 12 X 5.5 TP)
10	3951100001	BEARING RETAINER (SUS304)
11	3990100520	HEX NUT (SUS304 M4)
12	3990200001	BEARING N
13	3990100022	C-RING (SUS301)
14	3952080002	GEAR CASE (PBT G30)
15	3993000120	O RING SEAL (AS568-120 HS50)
16	3953000000	SEAL HOLDER
17	3993900001	ROTATION SEAL L
18	3951100005	SEAL RETAINER (SUS304)
19	3990100502	SCREW (M3 X 10 TP)
20	3990100250	PIN (SUS301)
21	3990100602	SCREW (M3.5 X 12)
22	3951100101	Lock Assy (2pc as indicated in drawing above)
NS	3951100103	Not Shown - See Head Assy Item 29 for Lock Hook
23	3993000152	GEAR CASE O-RING (AS568-152)
24	3993000177	BODY RING

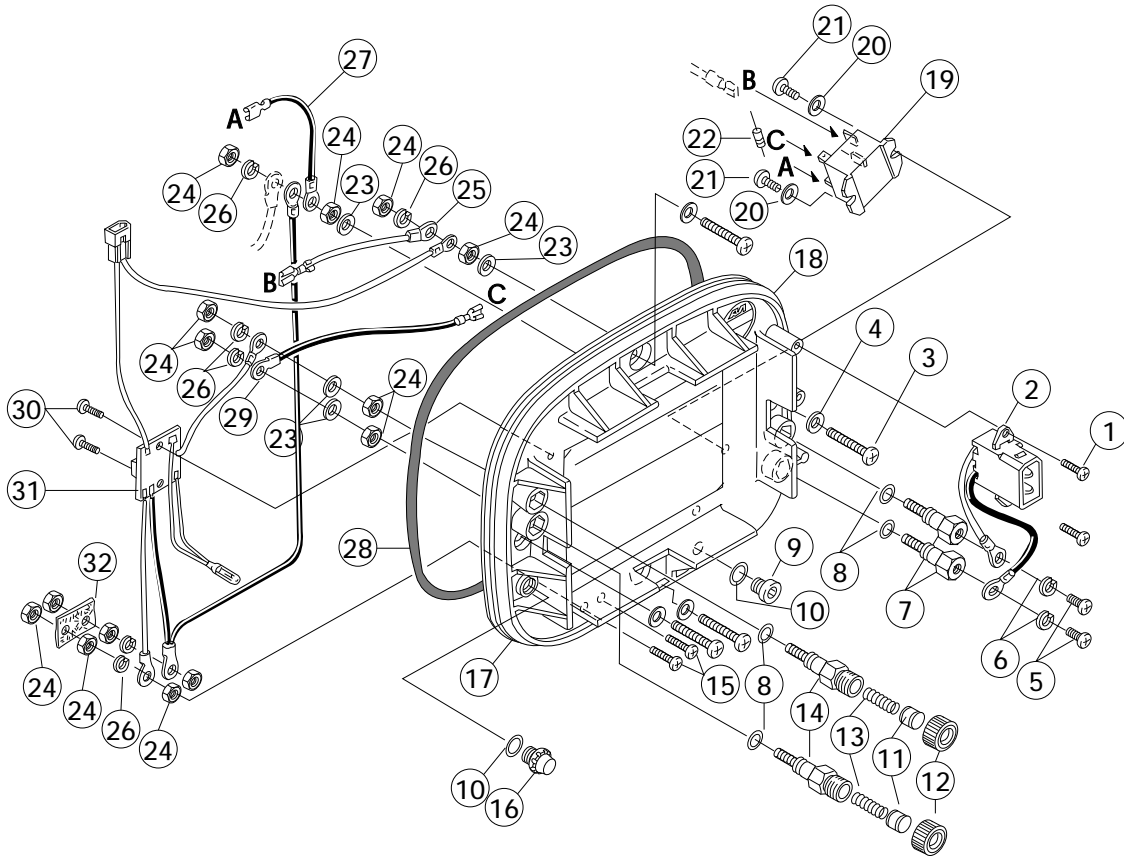
Item	Code No.	Description
25	3993000270	BODY O RING (AS4 X 227 HS50)
26	3993080009	O RING (AS568-010)
27	3952035002	BODY COVER (ABS)
28	3990100080	CLAMP LOCK PIN (SUS304 3M X 8)
29	3952080006	LOCKING TAB - R (ABS)
30	3952080005	LOCKING TAB - L (ABS)
31	3990100504	SCREW (M4 X 16 X 7 TP)
32	3990100011	WASHER (SUS304 4.3 X 8)
33	3952035003	PROPELLER COVER (ABS)
34	3952080003	CLAMP RING (PBT)
35	3993000153	GEAR CASE O RING (AS568-235 HS50)
36	3952080001	GEAR CASE RETAINER (PBT)
37	3990100021	WASHER (SUS304 M4)
38	3990100504	SCREW (M4 X 16 X 7 TP)
39	3993000239	PROPELLER AXIS O RING (AS568-239 HS50)
40	3993000236	PROPELLER AXIS O RING (AS568-236 HS50)
41	3951100002	CLUTCH PLATE A (SUS304)
42	3990100029	BALL BEARING (SUS304 M5)
43	3951100003	CLUTCH PLATE B (SUS304)
44	3951100004	CLUTCH PLATE C (SUS304)
45	3951104013	WASHER
46	3951200004	CLUTCH SPRING (SUS304W)
47	3951104013	CLUTCH WASHER (SUS304)
48	3990100028	WASHER (SUS304 M5)
49	3950004008	CLUTCH RETAINER SCREW (SUS304)
52	3950000004	CLUTCH SPRING RETAINER (SUS304)

NOTE: Item 22 previously indicated wrong Code No.

Correct number for this item is 395-11-00-101

Last update: 2/21/2007

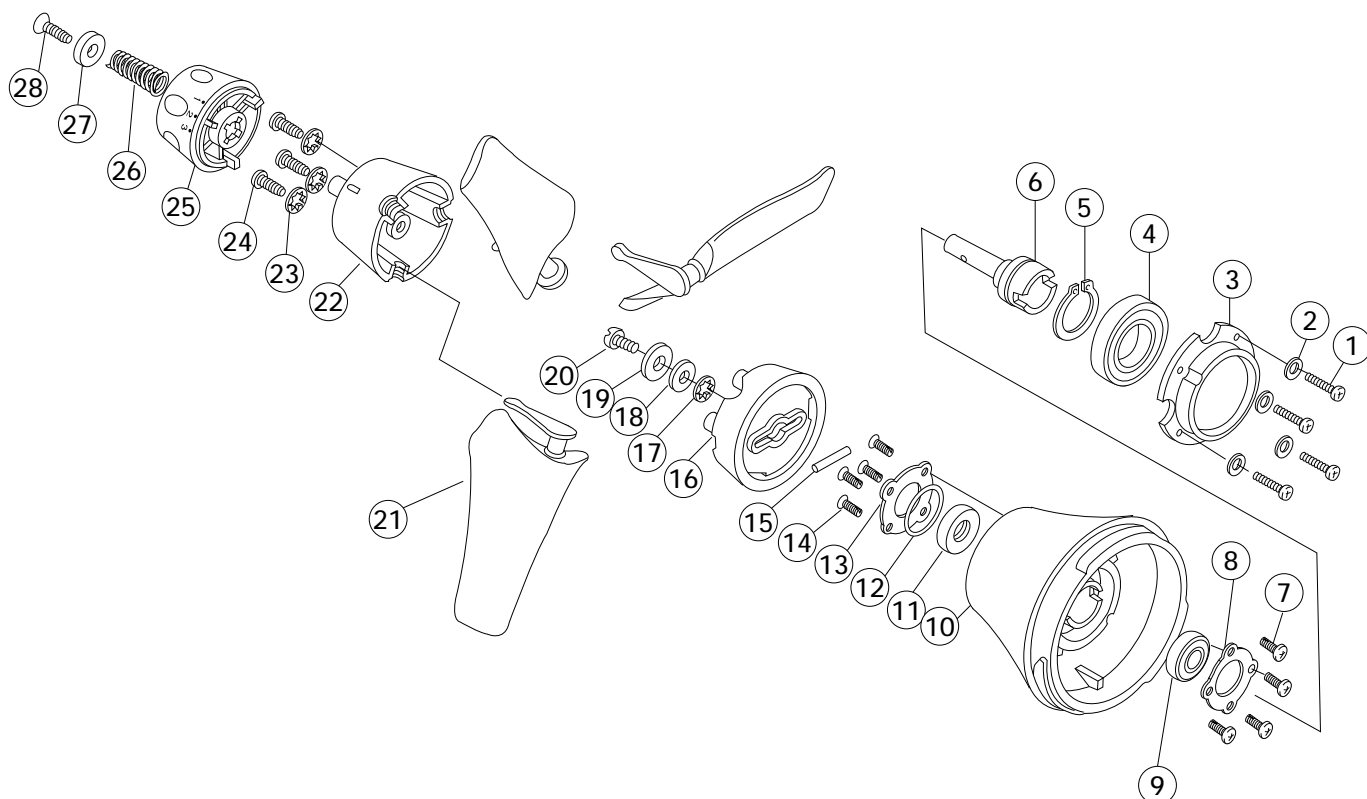
av-1 BULKHEAD ASSY section: C-2 updated 7/30/02



Item	Code No.	Description
.	2952080002	AV-1 BULKHEAD ASSY
1	3990100100	SCREW (SUS304 M3 X 10)
2	2958000006	BATTERY PLUG ASSY (BULKHEAD SIDE)
3	3990100507	SCREW (SUS304 M5 X 30)
4	3990100012	WASHER M5 (SUS304 5.3 X 10)
5	3990100508	SCREW (SUS304 M4 X 6 X 7)
6	3990500012	SPRING WASHER M4 (PBSP M4)
7	3950004005	BATTERY TERMINAL SHAFT
8	3993080008	TERMINAL O RING (AS568-008)
9	3100101901	PLUG A
10	3993080011	PLUG A O RING (AS568-011)
11	3950004003	SOCKET SLEEVE
12	3950004004	SOCKET CAP
13	3951200001	SOCKET SPRING (SUS304)
14	3950004002	SOCKET SHAFT
15	3990100505	SCREW (SUS304 M4 X 22)
16	3952015030	SENSOR LAMP COVER (POLYCARBONATE)

Item	Code No.	Description
17	3952080009	BULKHEAD (PBT)
18	3952280008	NUMBER SEAL
19	3998000009	POWER RELAY
20	3990100011	WASHER M4 (POLYCARBONATE)
21	3990100030	SCREW (SUS304 M4 X 12 TP)
22	3998000015	DIODE
23	3990100011	WASHER M4 (SUS304 4.3 X 8)
24	3990100510	HEX NUT M4 (BS)
25	2958000001	TERMINAL POWER RELAY ASSY
26	3990500012	SPRING WASHER M4 (PBSP)
27	2958000003	POWER RELAY TERMINAL ASSY (-)
28	3993000268	BULKHEAD O RING (AS568-268 HS50)
29	2958000002	POWER RELAY SOCKET ASSY (+)
30	3990100100	SCREW (SUS304 M3 X 10)
31	2958000009	WATER LEAK SENSOR ASSY
32	3992280011	NYLON CLOTH
33	3952280007	BATTERY STICKER

av-1 PROPELLER ASSY section D



Item	Code No.	Description
.	2952080009	AV-1 PROPELLER ASSY
1	3990100521	SCREW (SUS304 M3 X 16 TP)
2	3990100010	WASHER M3 (SUS304 3.2 X 6)
3	3952080041	BEARING HOUSING (PBT)
4	3990200003	BEARING (SUS304)
5	3990100057	C-RING (SUS304)
6	3950000002	PROPELLER SHAFT (SUS304)
7	3990100501	SCREW (SUS304 M3X12X5.5 TP)
8	3951100001	BEARING RETAINER (SUS304)
9	3990200002	BEARING (SUS304)
10	3952080004	PROPELLER SHAFT CASING (PBT)
11	3993600000	SEAL
12	3993000022	SEAL O RING
13	3951100005	SEAL RETAINER(SUS304)
14	3990100502	SCREW (SUS304 M3 X 10 TP)

Item	Code No.	Description
15	3990100280	PIN (SUS304)
16	3952080038	PROPELLER BASE (PBT)
17	3990100028	WASHER (SUS304 M5)
18	3990100027	SPACER (SUS304)
19	3951100009	PROPELLER BASE WASHER (SUS304)
20	3950004008	CLUTCH SCREW (SUS304)
21	3952080026	PROPELLER BLADE ASSY
22	3952080036	PROPELLER RETAINER (PBT)
23	3990100021	WASHER (SUS304 M4)
24	3990100504	SCREW (SUS304 M4X16X7 TP)
25	3952080037	PITCH KNOB (PBT)
26	3951200003	KNOB SPRING (SUS304)
27	3950004009	KNOB SCREW WASHER
28	3990100512	SCREW (SUS304 M5 X 20 X 10)